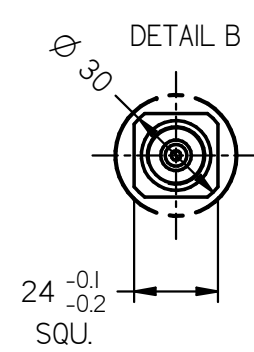
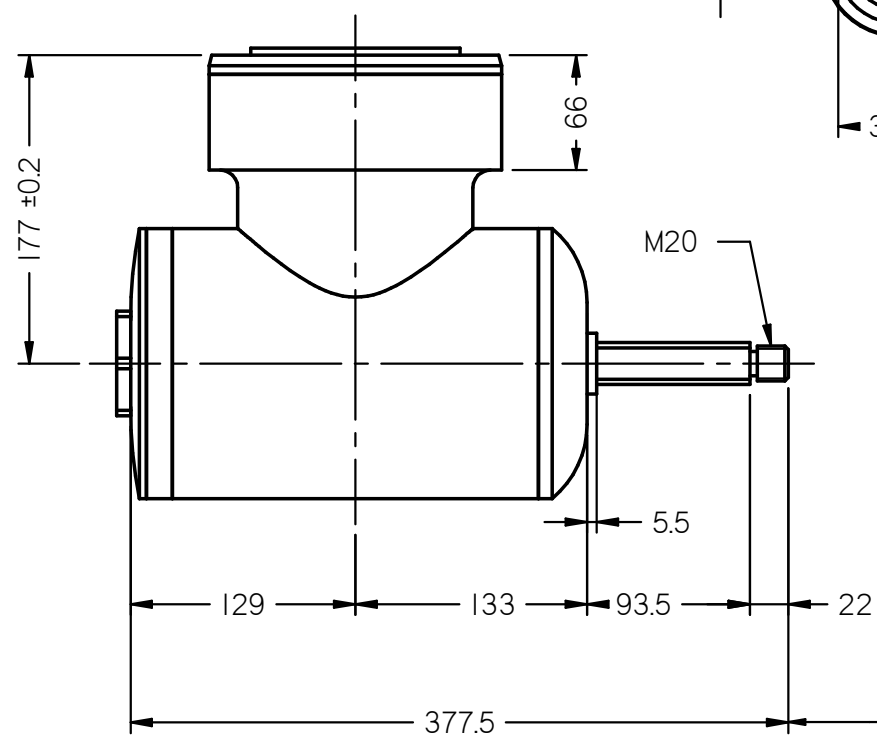
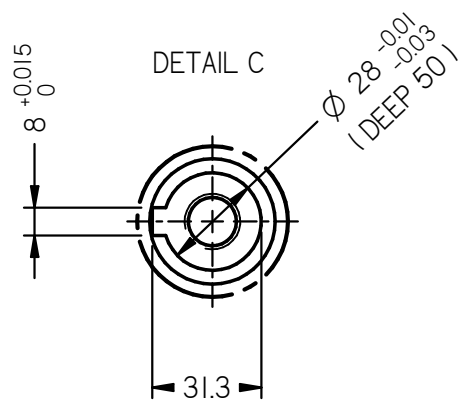


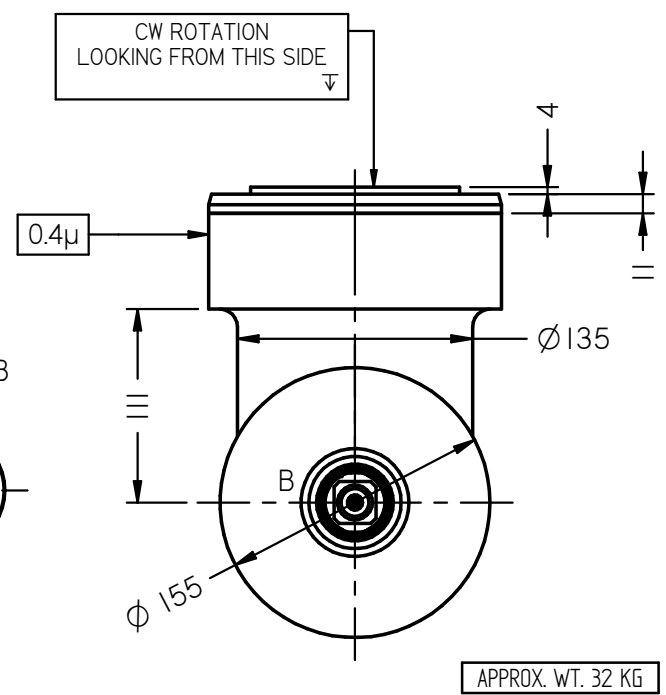
HOLLOW INPUT SHAFT  
DIA 28x50 DEEP



TORQUE RATING			
DRG. NO.	TORQUE AT 1000 RPM	TORQUE AT 1400 RPM	TORQUE AT 2800 RPM
TECHNO-3016	35	25	14

UNITS: TORQUE-NM, WEIGHT-KG, DIMENSIONS-MM

NOTE: NYLOCAST GEARS



TECHNOCRAFT ENGINEERS B-19, MIDC FLATTED FACTORY, L.B.S. ROAD, THANE-400 604.		
SIZE A4	G.A. DRAWING	REV 16.02.18
TECHNOCRAFT BEVEL GEARBOX - 1016		
SCALE: NTS	WEIGHT:	SHEET 2 OF 2